

NOTE
ENCLOSED DC VALUES
ARE MEASURED WITH S5 CLOSED
AND MUTING CONTROL SET TO MAX POSITION

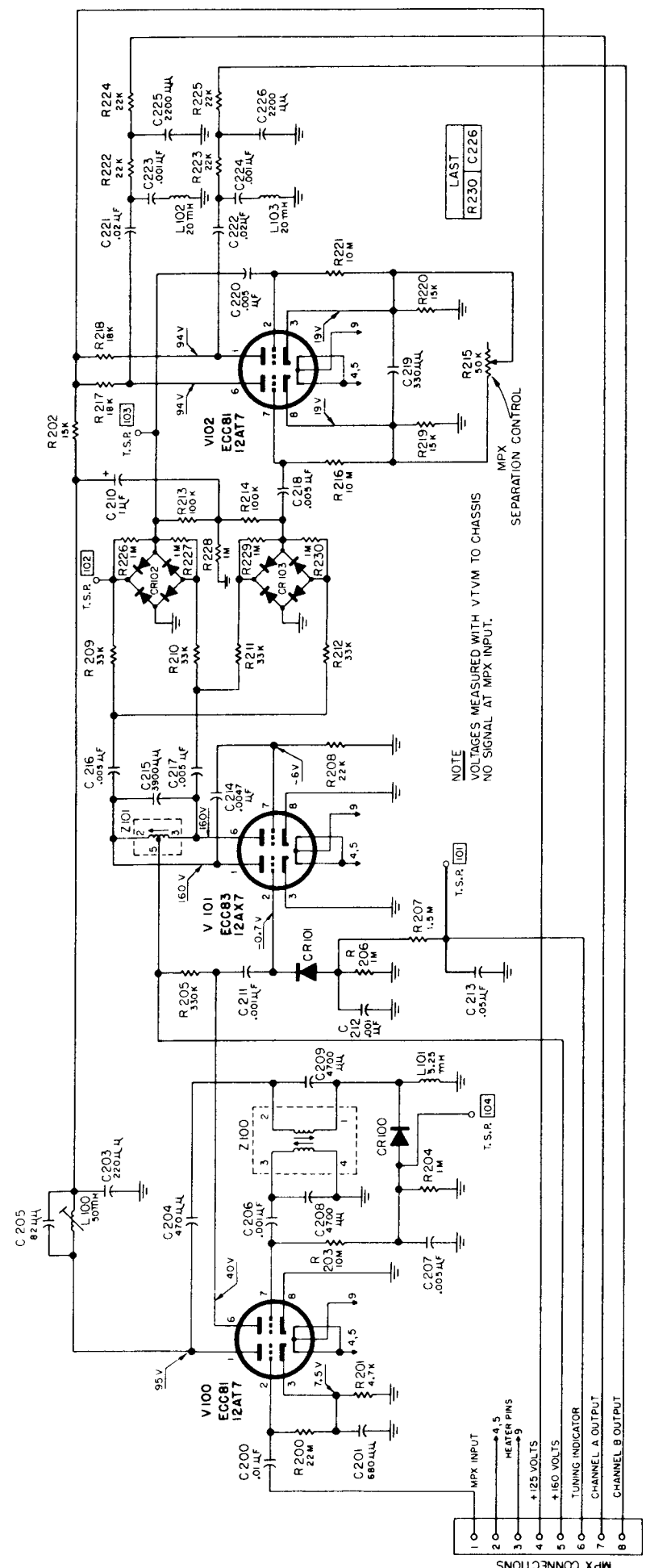
S1 SENSITIVITY SWITCH
SHOWN IN → AC OFF
DISTANT LOCAL

S2 SELECTOR SWITCH
SHOWN IN → MONO
STEREO-MONO AUTOMATIC
STEREO-FILTER

* NOTE
5.5V READING WHILE RECEIVING
AN MPX STEREO STATION ONLY.

NOTE
CAPACITOR VALUES IN PF ARE
EQUAL TO VALUES IN UF.

LAST
R72 C67



NOTE
VOLTAGES MEASURED WITH VTVM TO CHASSIS
NO SIGNAL AT MPX INPUT.

LAST
R230 C226

- MPX CONNECTIONS
- 1 ○ MPX INPUT
 - 2 ○ HEATER PINS
 - 3 ○ HEATER PINS
 - 4 ○ +125 VOLTS
 - 5 ○ +160 VOLTS
 - 6 ○ TUNING INDICATOR
 - 7 ○ CHANNEL A OUTPUT
 - 8 ○ CHANNEL B OUTPUT

ALIGNMENT INSTRUCTIONS

Read These Instructions With Extreme Care Before Attempting Alignment.

TEST EQUIPMENT: FM Signal Generator, DC VTVM, Oscilloscope.

CHASSIS: 1 — For the entire alignment procedure, set the Selector Switch to Mono position, the Muting Control to OFF position, the Channel A Level Set to MAXIMUM, and connect the oscilloscope to the Channel A output.

2 — Turn the Tuning knob maximum counterclockwise. (Dial pointer should line up with calibration mark at the beginning of the dial. Reset the dial pointer if necessary.)

3 — Allow the tuner and test equipment at least 15 minutes warm-up time. Adjust the line voltage for 117 volts AC 50-60 cps. Use fully insulated tools: a small screw-driver for trimmer capacitors C21, C14 and C3; a K-Tran tool for Z1, Z2 and Z3; a hex tool for all L1, L6, L7, Z4, Z5 and Z6.

STEP	DIAL	SIGNAL GENERATOR			DC VTVM	ADJUST	INDICATION
		GENERATOR COUPLING	FREQ.	MOD.			
1	Set dial pointer for extreme C.C.W. position.	Pin 1, V5	10.7 MC	None	Test Point 3	Z4 Z5 Z6 top and bottom	Maximum negative voltage (below 10 volts)
2		Ungrounded tube shield of V2	10.7 MC	None	Test Point 2	Z1, Z2, Z3 top and bottom	Maximum negative voltage (below 2 volts)
3	90 MC	Two 120 ohm carbon resistors in series with generator leads to the antenna terminals.	90 MC	± 22.5 KC deviation at 400 cps.	Test Point 2	L7, L6 and L1	Adjust for maximum negative voltages and check for sine wave-form, with scope at Ch A output.
4	106 MC		106 MC	± 22.5 KC deviation at 400 cps.	Test Point 2	C21 C14 and C3	

NOTE: (Steps 1 and 2): Decrease signal generator output while aligning IF transformers so that the VTVM indicates not more than specified voltages. Repeat steps 3 and 4 to obtain proper dial calibration and maximum sensitivity.

